

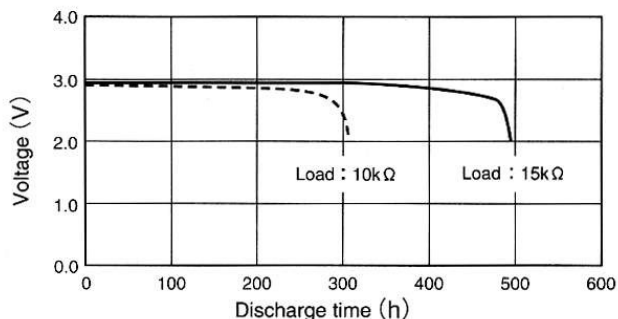
GP Batteries

Data Sheet

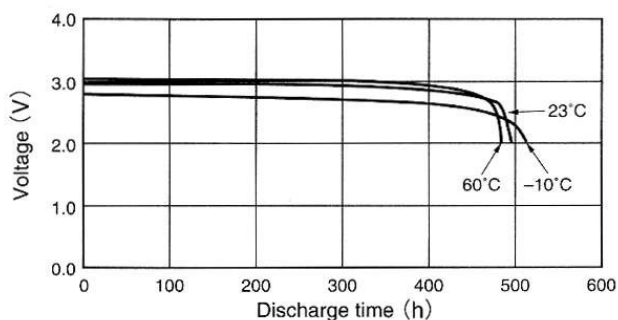
Model No.: CR2016

Description : Flat Lithium Battery
 Chemical system : Lithium Manganese Dioxide
 Nominal voltage : 3 Volts
 Nominal capacity : 90mAh
 Dimensions : $\varnothing 20.0 \times 1.6$ mm
 Shelf life : 5 years at room temperature
 Average weight : 1.7 grams
 Applications : Computer memory back up,
 photo

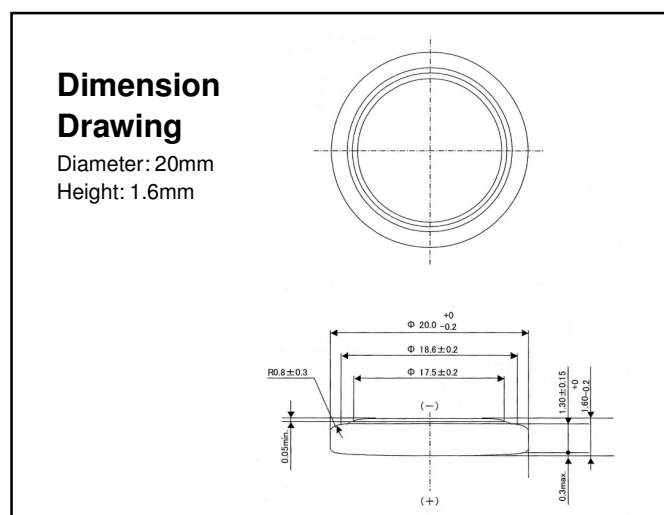
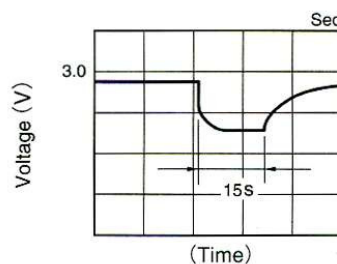
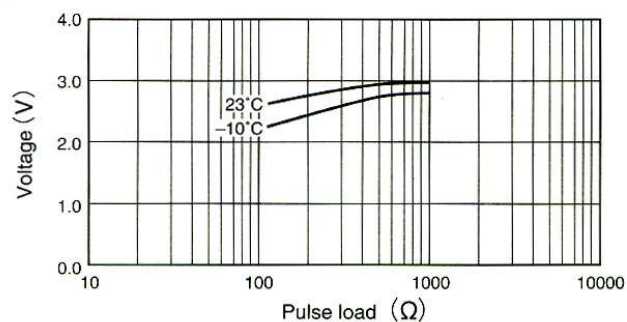
Discharge Characteristics on Load



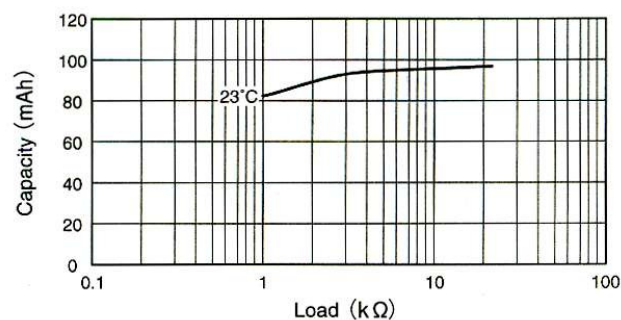
Discharge Characteristics on Temperature



Discharge Characteristics on Pulse Load



Discharge Load vs. Discharge Capacity



Cross References:

IEC	JIS	Eveready	Varta	Duracell
CR2016	CR2016	ECR2016	CR2016	DL2016

Member
 Gold Peak Group

Manufacturer reserves the right to alter or amend the design, model and specification without prior notice.

08040104311